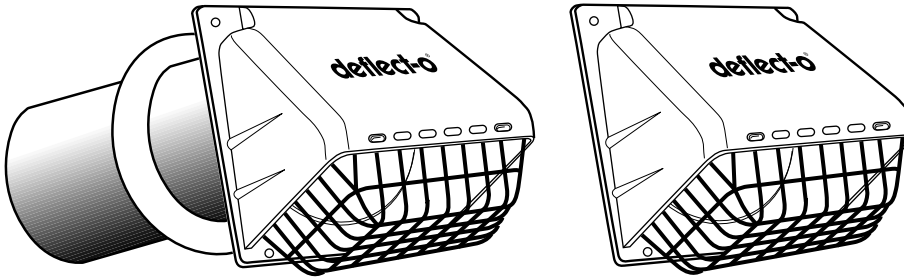


Dryer Vent - 4" Wide Mouth Hood with removable bird guard, pipe & collar



RVHCW₄, RVHCB₄, RVHXW₄, RVHXB₄,
RVHAW₄, RVHAB₄, RVHUW₄, RVHUB₄

HR₄W, HR₄B

Model No.	Description	Color
HR ₄ W	Hood	White
HR ₄ B	Hood	Brown
RVHCW ₄	Hood/pipe/collar unassem.	White
RVHCB ₄	Hood/pipe/collar unassem.	White
RVHXW ₄	Hood/pipe/collar assem.	White
RVHXB ₄	Hood/pipe/collar assem.	Brown
RVHAW ₄	Hood/pipe/collar assem.	White
RVHAB ₄	Hood/pipe/collar assem.	Brown
RVHUW ₄	Hood/pipe/collar unassem.	White
RVHUB ₄	Hood/pipe/collar unassem.	Brown

Performance Data

for all plastic molded vent hoods

Hood

- Calcium filled Polypropylene
- Melting point: 325° F+
- UV Inhibitor added

Pipe

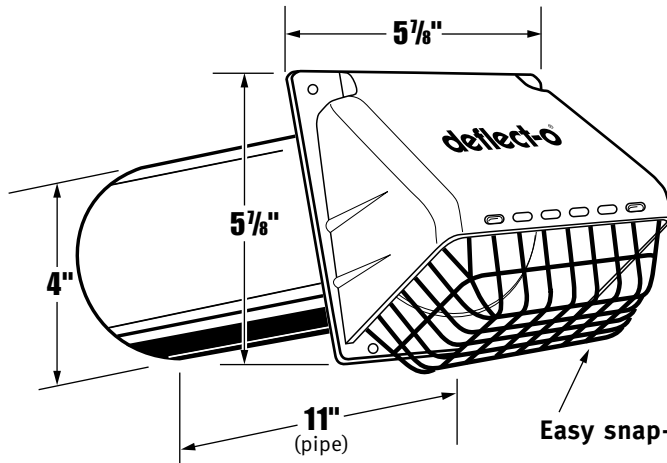
- Aluminum

Collar

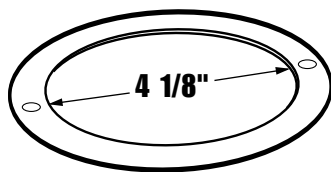
- High impact Styrene

General Information

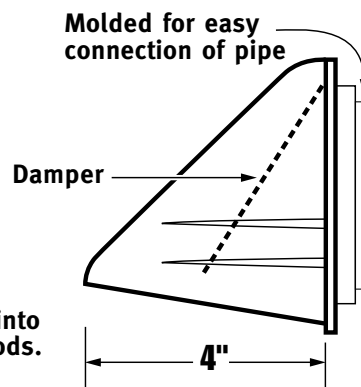
- 4" dia. opening
- quick, easy installation
- removable bird guard helps prevent birds and other pests from nesting in vent or entering home
- durable weather resistant



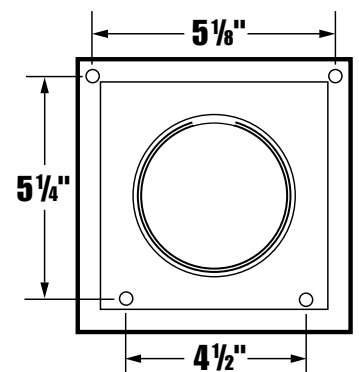
Easy snap-in "removable" bird guard



Plastic collar



Side View



Rear View

We've designed a full 4" of free air into our dryer vent hoods.